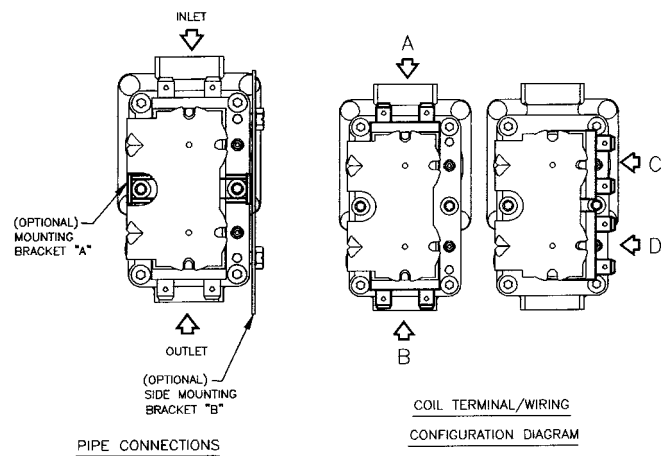
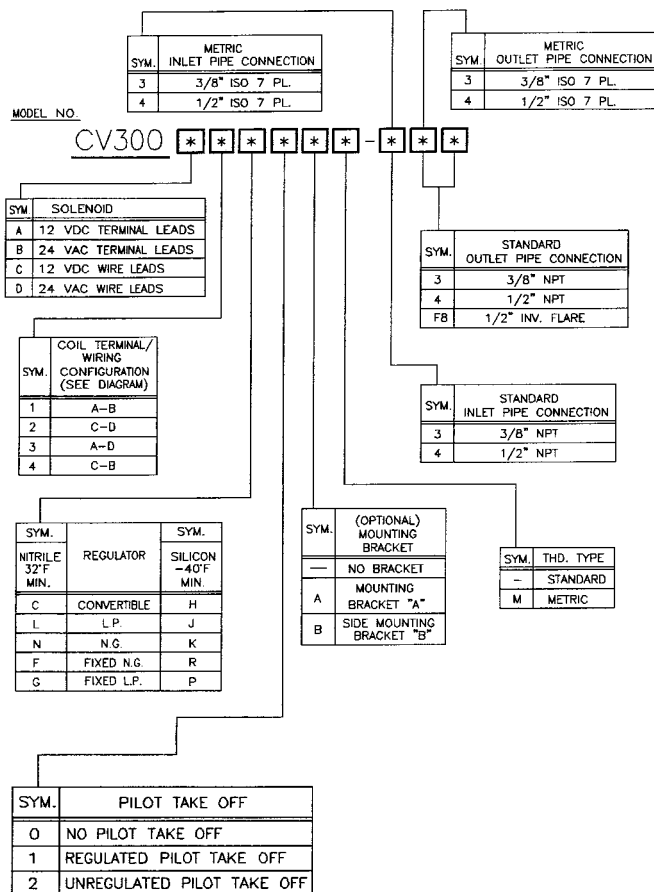


Combination Gas Valves

CV300 COMBINATION GAS VALVE

- Two solenoid shut-off valves with built-in pressure regulator
- CSA certified
- 1.0" w.c. pressure drop @ 75,000 BTU/hr. NAT
- Range of regulation: 10,000 to 80,000 Btu/hr
- Operating temperature range: -40° to 175°F
- Rated inlet pressure: 1/2 psi
- Inlet-outlet connection: 1/2" x 1/2" NPT (maximum) *for other sizes consult Maxitrol*
- 24 VAC or 12 VDC
- For use with electric ignition systems (intermittent pilot or direct burner)
- Optional pressure regulated pilot gas outlet
- Range of regulation with optional pressure regulated pilot gas outlet: 500 to 80,000 Btu/hr
- Used with Natural, Propane, or L.P. gases
- Electric switch option for gas shut-off (switch not shown)
- Optional Convertible Regulator

CV300 Sizing Chart



23555 TELEGRAPH RD. • P.O. BOX 2230 • SOUTHFIELD, MI U.S.A. 48037-2230
 WWW.MAXITROL.COM • 248/356-1400 • FAX 248/356-0829 • E-MAIL: INFO@MAXITROL.COM